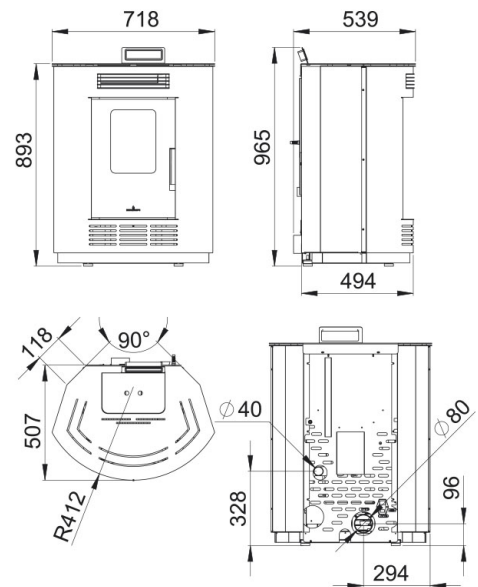




				WIFI KIT, CANALIZATION KIT						

## Features

- CANALIZATION KIT OPTIONAL
- Oasys Plus
- Double Chamber System
- Clean Glass System
- Modulation System
- Model designed for easy access to maintenance service
- Model Compatible with Kit Wifi
- Programmable
- Flame anti-return system
- Chamber overpressure valve
- Power max: 9kw
- Power max-min: 8-3,5kw
- Efficiency (%): 90-93%
- Consumption max-min (kg/h): 1,9-0,88kg/h
- Power consumption (W): 60-300W
- Heating capacity (m3): 198m3
- Tank capacity (Kg): 16kg
- Cast-iron interior
- Autonomy (h) (min-max): 8,5-18h
- Weight (kg): 89kg
- Fume outlet diameter (mm): 80mm
- Air inlet diameter (mm): 40mm
- Forced ventilation: 1x270
- Remote control or switchboard



Given the continued improvement of our products and improving our manufacturing process, size, aesthetics and product specifications are subject to change without prior notice from our company.

[www.bronpi.com](http://www.bronpi.com)



## Features

- S1:Security systems: Safety thermostat pellet, Air flow switch
- Compatible accesories not included: WIFI KIT